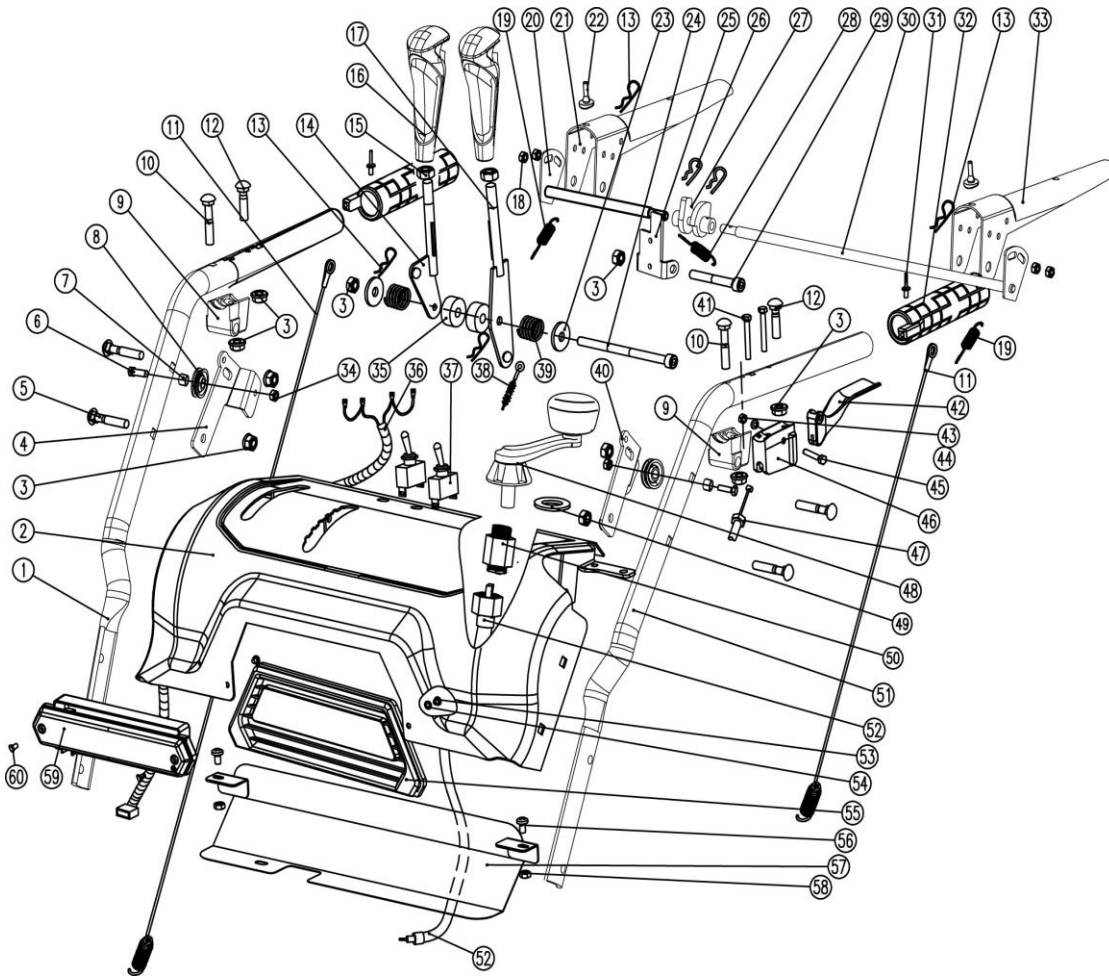
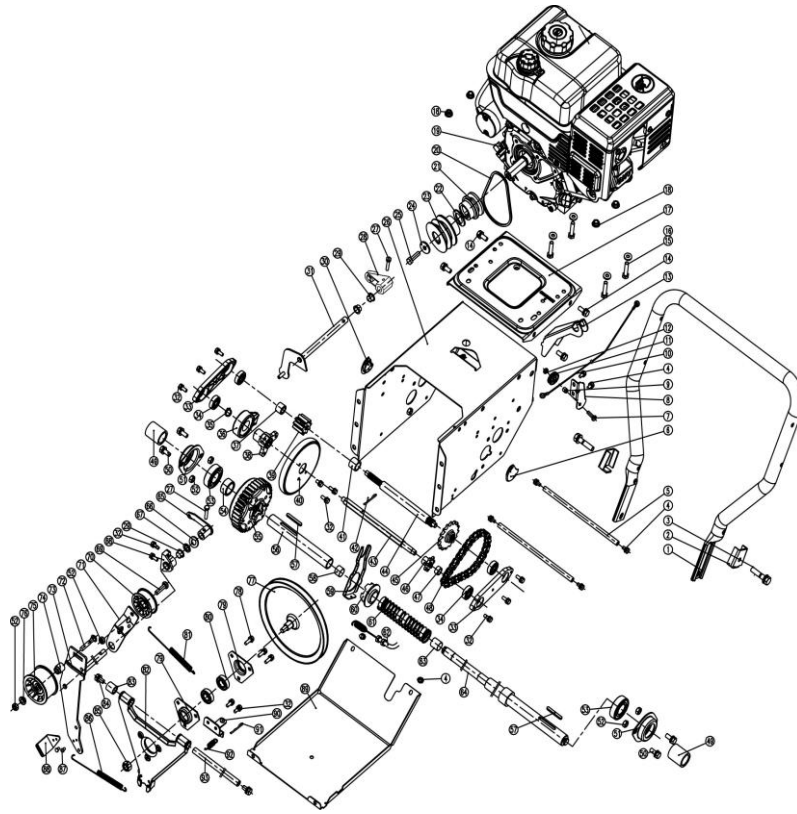


No.	ID zboží	Název
1	S07*00656	jam nut M8
2	KC55-10	right gimbal
3	GB/T 6171-2000	nut M8x1
4	KC26-04A	gear connector bar
5	GB/T 889.1-2000	nut M8
6	S07*00447	Concave gasket / 8*22*2
7	KC30-05A	Armrest aluminum pad
8	GB/T12-1988	bolts M8X55
9	GB/T6563-2014	Hexagon head combination bolts M6X16
10	KC30A-04A	Belt cover
11	KC30A-07	Belt rod
12	KC42A-03A	chute assebmly
13	KC55-24	Snow shovel
14	KC55-15	Helical bracket washers
15	KC26-11	Long washers
16	KC26-14	Hollow worm
17	KC26-12	Mandrel
18	KC26-15	Lower connection tube
19	GB/T 879-2000	Elastic cylindrical pin 3 * 18
20	KC26-16	Rotating frame cover
21	GB/T9074.17-1994	screw M6X16
22	KC26-10A	Rotating frame
23	GB/T12-1988	bolt M8X16
24	GB/T889.1-2000	hexagon lock nut M8
25	GB/T 96.2-2002	washer C6
26	KC26-17	friction pad
27	KC26-18	friction spring
28	4LXP945	belt
29	GB/T9074.17-1994	bolt M8x20
30	GB/T 96.2-2002	washer C8
31	KC30-17	cable holder
32	KC30A-08	belt cover washer



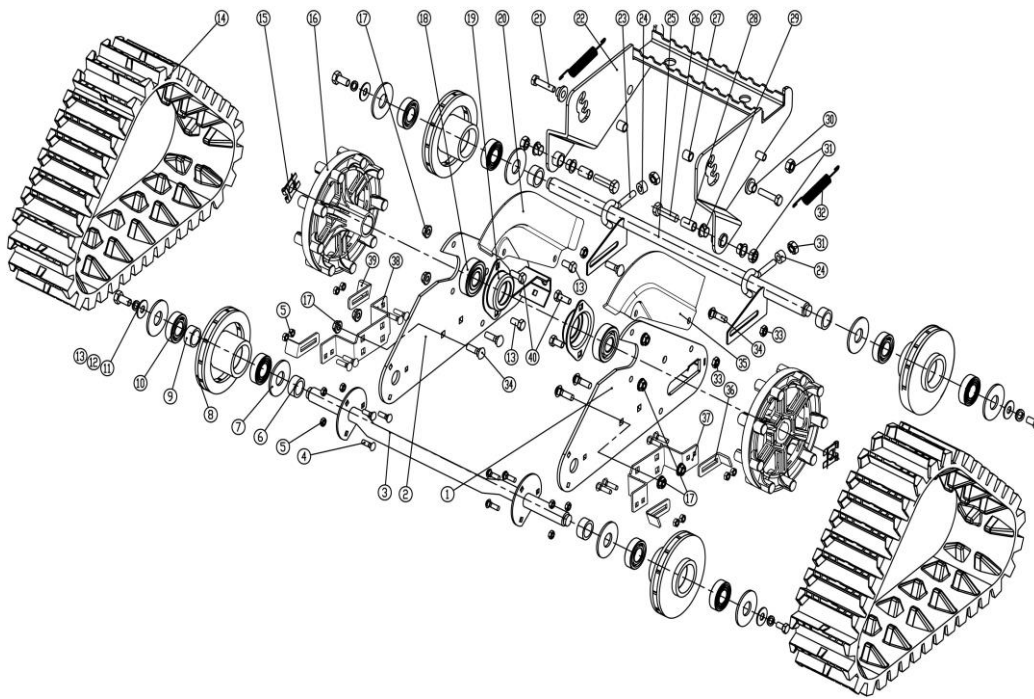
No.	ID zboží	Název
1	KC30-03C-01R	upper handle (right)
2	KC30-03-02	panel
3	GB/T899.1-2000	nut M8
4	KC30-03-44R	right pulley set
5	GB/T12-1988	bolt M8x40
6	GB/T5780-2000	bolt M6x20
7	KC21-02-2	small shaft sleeve
8	KC40-28	pulley
9	KCA28-04-03	handle seat
10	GB/T12-1988	bolt M8x45
11	KC30-03-49	long cable
12	GB/T12-1988	bolt M8x35
13	S03*00493	B pin ϕ 1.5X25
14	KC30-03-09	gear handle lever
15	GB/T41-2000	nut M10
16	KC30-03-2(M4)	gear handle
17	KC30-03-11GGP	deflector handle lever
18	GB/T 6183.1-2000	jam nut M6
19	KC30-03-45	spring
20	KCA28-04-14	short rod
21	KCA28-04-04	right control lever
22	KC55-03-15	rubber pad
23	GB/T5287-2002	washer 8
24	GB/T 70.1-1985	screw M8x150
25	KCA28-04-17	stopper
26	KC30-03-50	pin
27	KCA28-04-16	cam
28	KC55-03-11	stopper spring
29	GB/T 70.1-1985	screw M8x60
30	KCA28-04-08	long rod

No.	ID zboží	Název
31	GB/T 12618-1990	rivet 4x10
32	KC90-04-04A	heated handle
33	KCA28-04-10	left control lever
34	GB/T899.1-2000	jam nut M6
35	KC55-03-05-6	short bushing
36	KC30-03-14	input wire
37	ASW-07D	switch
38	KC30A-05-4	deflector cable
39	KCD26-06-2	spring
40	KC30-03-44L	left pulley seat
41	GB/T70.1-1985	screw M5x35
42	KC30-03-08	differential handle
43	GB/T 889.1-2000	jam nut M6
44	GB/T95-2002	flast washer 6
45	KC30-03-06	handle bolt
46	KC30-03-05	differential handle seat
47	KC30-02-06B	differential cable
48	KC30-03-32	rotating handle
49	KC30-03-31	rubber pad
50	KC30-03-23	lower fixing seat for rotating lever
51	KC30-03C-01L	upper handle (left)
52	KC30-03-22B	flexible shaft
53	GB/T 818-2000	screw M6x10
54	GB/T95-2002	flat washer 6
55	KC30-03-24	decoration plate for light
56	GB/T9074.17-1988	bolt M6x16
57	KC30-03-26	cover
58	GB/T 889.1-2000	jam nut M6
59	KC21-03-15	LED light
60	GB/T846-1985	screw ST3.5x16-F

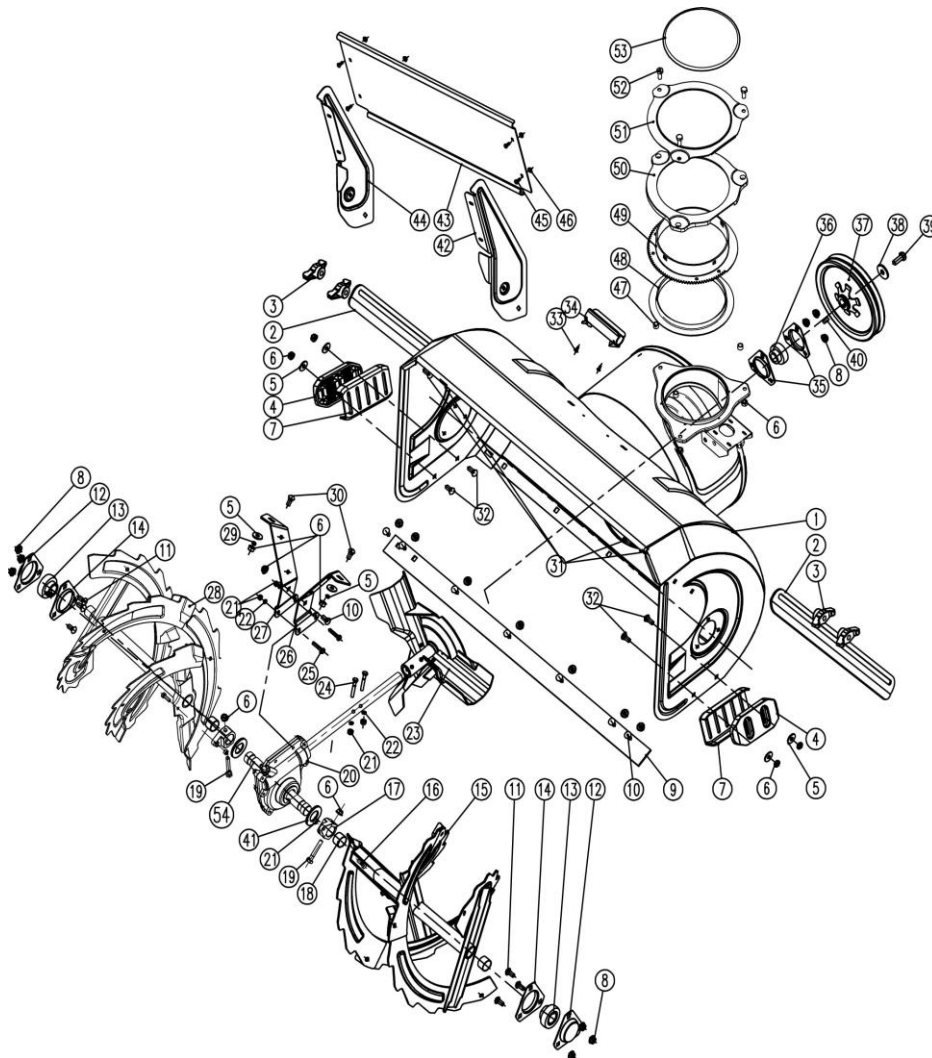


No.	ID zboží	Název
1	KC90-02-21A	handlebar
2	KC55-02-25A	handle connecting plate
3	GB/T9074.17-1988;M10X45	Bolt M10x45
4	GB/T5780-2000;M6X16	Bolt M6x16
5	KC30A-02-30	strut
6	KC30A-02T-01	cover 2
7	GB/T5780-2000;M6X20	bolt M6x20
8	KCM24-02C-19	pulley seat
9	KC21-02-2	small shaft sleeve
10	KC21-02C-01	short wire
11	KC40-28	pulley
12	GB/T899.1-2000;M6	jam nut M6
13	KC30A-02-02	connecting plate
14	GB/T9074.17-1988;M8X20	bolt M8X20
15	GB/T5780-2000;M8X40	bolt M8X40
16	S07*00143	washer 24*8*2
17	KC30A-02-29	enging plate
18	DIN6927	jam nut M8
19	LC180FDS	engine
20	3LXP870	belt
21	KC30A-02-03	drive wheel
22	KC21-02-36	washer
23	KC90-02-16	drive pulley 2
24	GB/T5287-2002;8	washer 8
25	GB/T5786-2000; 5/16-24*1 1/4	bolt 5/16-24*1 1/4
26	KC30A-02-04A	transmission box assembly
27	GB/T9074.17-1988;M6X20	bolt M6x20
28	KC30-02-12	shift connector
29	KC90-02-07	plastic sleeve
30	KC30A-02T-02	cover 3
31	KC55-02-05	shift fork
32	GB/T9074.17-1988;M6x16	bolt M6X16
33	KC30A-02-05	bearing seat
34	GB/T276-1997;6200	ball bearing 6200
35	GB/T894.1-1986;25	circlip 25
36	KC21-02-13	shift bearing
37	KC30A-02-06	sleeve 15x20x15
38	KC21-02-12B	rubber wheel seat
39	KC30A-02-07	small gear
40	KC21-02-11A	rubber wheel
41	KC30A-02-08	sleeve 18x23x18
42	KC55-29	B pinchcock
43	KC30A-02-9	hexagon shaft
44	KC30A-02-10-2	transit shaft
45	KC30A-02T-3	chain wheel
46	KC30A-02-11	small chain wheel
47	KC30A-02-12	sleeve 12x15x8

No.	ID zboží	Název
48	GB/T1243-1997;085-26	chain 085-26
49	KC30-02-16A	shaft sleeve
50	GB/T9074.17-1988;M8X16	bolt M8x16
51	KC90-02-11	bearing seat
52	GB/T899.1-2000	jam nut M8
53	GB/T899.1-2000;M8	ball bearing 6205
54	KC30A-02-14	shaft sleeve 25x34x16
55	KC30A-02-15	differential
56	KC30A-02-16	short semi-shaft
57	GB/T1095-2003;6X4X45	flat key 6x4x45
58	KC30A-02-17	bronze sleeve 1
59	KC30A-02-18	fork plate
60	KC30-02-07	auxiliary differential part
61	KC30-02-05	big spring
62	KC30-02-06B	differential cable
63	KC30A-02-19	bronze sleeve 2
64	KC30A-02-20	long shaft
65	KC30A-02-31	tension connector
66	GB/T848-2002;φ12	flat washer;φ12
67	GB/T955-1987;φ13	spring washer φ13
68	KC21-02C-09	fixing block
69	GB/T5780-2000;M8x30	bolt M8X30
70	KC55-02-21A	small tension pulley
71	KC21-02C-10	small tension plate
72	GB/T12-1988;M8X45	bolt M8x45
73	KC30A-02A-5	big tension combination
74	KC55-01-24	bushing
75	KC55-01-27	big tension pulley
76	KC55-01-26	pad
77	KC21-02C-13	belt pulley
78	GB/T9074.17-1988;M6x20	bolt M6x20
79	KC90-02-12	delta bearing seat
80	GB/T276-1997;6002	ball bearing 6002
81	KC90-02-15	spring
82	KC30A-02-23	support for friction disc
83	KC30A-02-24	sleeve 13x20x20
84	GB/T9074.17-1988;M8x16	bolt M8X16
85	GB/T899.1-2000;M12	jam nut M12
86	KC21-02C-12	brake spring
87	GB/T 109-1986;4x12	rivet 4x12
88	KC30A-02-25	brake block
89	KC30A-02-26A	bottom plate for transmission box
90	KC30A-02-27	position part
91	S03*00493	B Pin;φ1.5X25
92	KC21-02C-17	reset spring
93	KC90-02-31	strut

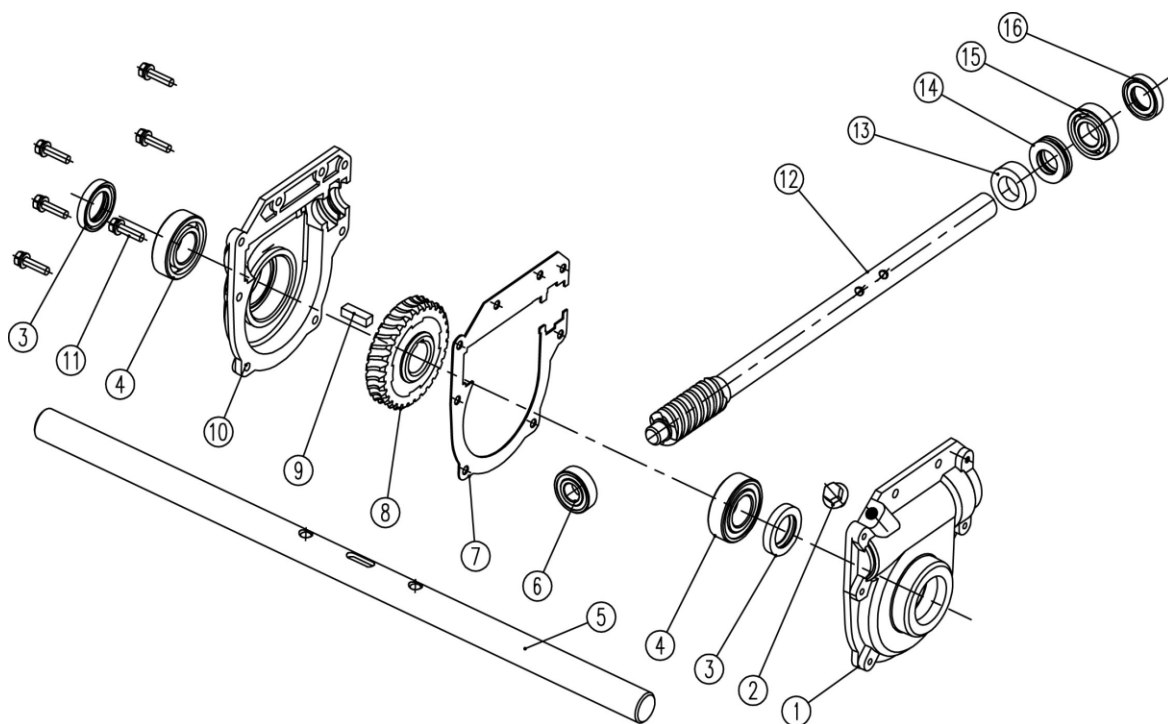


No.	ID zboží	Název
1	KC90-03-01A	pedrail bracket,left
2	KC90-03-02A	pedrail bracket,right
3	KC90-03-03A	front pedrail shaft
4	GB/T12-1988	bolt M6x16
5	GB/T 889.1-2000	jam nut M6
6	KC90-03-04	shaft bushing
7	KC90-03-05	big washer
8	KC90-03-06	idler pulley
9	KC90-03-24	bushing
10	6004-2RS	ball bearing 6004-2RS
11	GB/T5287-2002	washer 8
12	GB/T93-1987	spring washer 8
13	GB/T 5780-2000	bolt M8x16
14	XL-A	pedrail
15	KC90-03-07	clip
16	KC90-03-08A	pedrail pulley
17	DIN6927	jam nut M8
18	6205-2RS	ball bearing 6205-2RS
19	KC90-02-11	rhombus bearing seat
20	KC90-03-18	left plate for rubber track
21	GB/T 5780-2000	bolt M10x45
22	KC90-03-10A	pedal assemble
23	KC90-03-11A	hook
24	KC90-03-25	hook washer
25	KC90-03-12	rear axle for pedrail
26	GB/T 5780-2000	bolt M10x70
27	KC90-03-16	bushing
28	KC90-03-13	bushing,middle
29	KC90-02-07	plastic bushing
30	KC90-03-14	pad
31	GB/T 889.1-2000	jam nut M10
32	KC90-03-15	reset spring
33	GB/T 889.1-2000	nut M8
34	GB/T12-1988	bolt M8x18
35	KC90-03-19	right plate for rubber track
36	KC90-03-20	right scrapper
37	KC90-03-21	scrapper seat
38	KC90-03-23	scrapper seat 2
39	KC90-03-22	left scrapper
40	GB/T 5780-2000	bolt M8x20

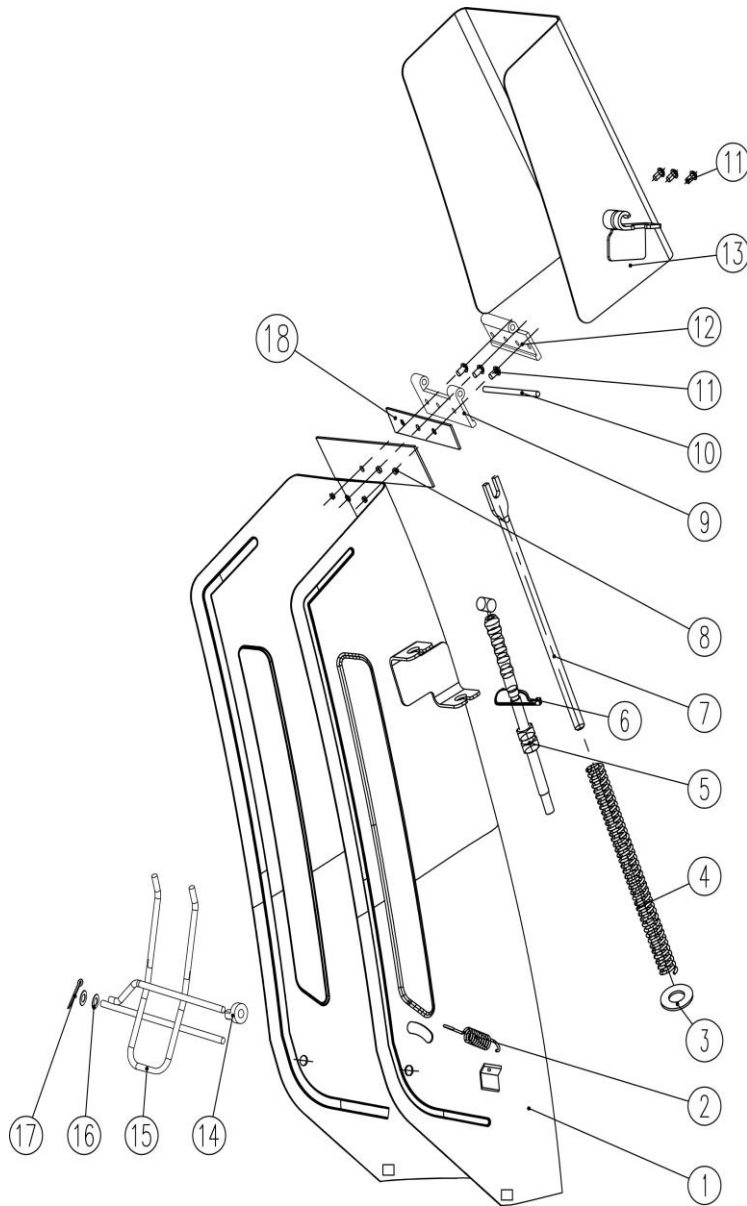


No.	ID zboží	Název
1	KCA30-01-01A	housing assemble (30)
2	KC26-01-06	housing bar (optional)
3	KC55-25	plastic nut (optional)
4	KC42-01-02	skid shoe
5	GB/T96.2-2002	washer 8
6	GB/T889.1-2000	nut M8
7	KCA34-01-10	skid shoe
8	DIN6927	nut M8
9	KC30-01-02	shave plate (30)
10	GB/T12-1988	bolt M8x16
11	GB/T12-1988	bolt M8x18
12	KC42-01-05A	bearing seat
13	GB/T7810-1995	bearing SB205
14	KC42-01-04A	bearing seat 205
15	KCA30-01-02A	right auger
16	GB/T5782-2000	bolt M6x20
17	KCA34-01-25	coupling
18	KCA34-01-02A-06	sleeve
19	GB/T5782-2000	bolt M8x45
20	KCA34-01-05	gear box
21	GB/T889.1-2000	jam nut M6
22	GB/T93-1987	washer 6
23	KCA34-01-06A	fan
24	KC26-01-18	bolt M6x40
25	GB/T5782-2000	bolt M6x30
26	KCA34-01-07R	right support
27	KCA34-01-07L	left support

No.	ID zboží	Název
28	KCA30-01-	left auger
29	GB/T93-19	washer 8
30	GB/T12-19	bolt M8x20
31	GB/T12-19	bolt M8x20 (optional)
32	GB/T12-19	bolt M8x25
33	GB/T845-1	screw ST4.2x9.5-F
34	KC55-01-2	shovel support
35	KC42-01-2	bearing seat
36	SB204	ball bearing SB204
37	KC42-01-2	belt pulley
38	GB/T5287-	washer 10
39	GB/T5780-	bolt M10x25
40	GB/T1095-	A flat key 6x20
41	KCA34-01-	washer
42	KCA34-01-	right support for higher plate (optional)
43	KCA30-01-	higher plate (optional)
44	KCA34-01-	left support for higher plate (optional)
45	GB /T12-1	bolt M8x16 (optional)
46	GB/T6183-	nut M8 (optional)
47	KCA34-01-	sleeve
48	KCA34-01-	gear washer
49	KCA34-01-	gear plate
50	KCA34-01-	gear plate cover
51	KCA34-01-	metal cover
52	GB/T5780-	bolt M8x25
53	KCA34-01-	rubber ring
54	KCA30-01-	output shaft



No.	ID zboží	Název
1	KCA34-01-05-01	Worm case right
2	GB/T16674.1-2004	bolt M10x15
3	GB/T9877.2-1988	seal ring 25x40x7
4	GB/T276-1994	bearing 6205
5	KCA30-01-05	auger shaft 30
6	GB/T276-1994	bearing 6202
7	KCA34-01-05-03	paper washer
8	KCA34-01-05-04	worm
9	GB/T1095-2003	key A8*25
10	KCA34-01-05-05	worm case left
11	GB/T9074.17-2002	bolt M6x25
12	KCA34-01-05-06	worm shaft
13	KCA34-01-05-07	sleeve
14	GB/T301-1995	bearing 51104
15	GB/T276-1994	bearing 6004
16	GB/T9877.2-1988	seal ring 20x35x7



No.	ID zboží	Název
1	KC42A-03A-1A	chute welded
2	KC55-03-17	spring
3	GB/T96.2-2002	washer C8
4	KC30A-05-2	deflector spring
5	KC30A-05-4A	deflector cable
6	SGC06*20150128	tie
7	KC30A-05-3	strut
8	KC42A-03-2A	sealing pad
9	KC30A-05-6B	lower hinge
10	KC30A-05-7B	hinge axle
11	GB/T12618-1990	rivet 4x10
12	KC30A-05-08B	upper hinge
13	KC42A-03-3	deflector
14	KC21-23	washer for barrier
15	KC42A-03-4	barrier
16	KC55-26	plastic washer
17	GB/T91-2000	pin 2*16
18	KC42A-03-5	sealing pad